



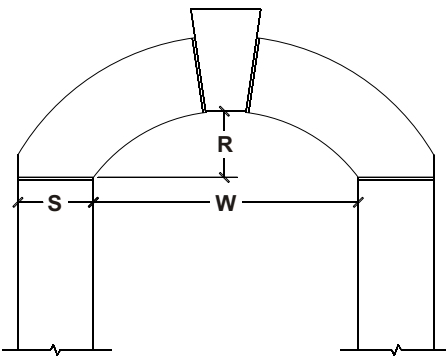
SUPPLY FABRICATE INSTALL

Phone - 416.637.0227
 Fax - 416-637-7115
 www.timelessstonework.com

Company Name

Arch Order Form

Customer Name: _____	Site: _____
Po.No.: _____	Lot No.: _____
Ordered by: _____	Model No.: _____



	<u>Arch A</u>	<u>Arch B</u>	<u>Arch C</u>
Location: _____	_____	_____	_____
Width(W): _____	_____	_____	_____
Rise(R): _____	_____	_____	_____
Quantity: _____	_____	_____	_____
Stone Size(s):	4 / 7.5 / 10.25	4 / 7.5 / 10.25	4 / 7.5 / 10.25
Keystone Size:	6 / 12.25 / 14	6 / 12.25 / 14	6 / 12.25 / 14
Shape:	elliptical / circle	elliptical / circle	elliptical / circle
Leg or Flair:	to leg / flair	to leg / flair	to leg / flair

Production Details

Keystones: None Smooth Face Rock Face Winged

Design: Plain Scored Layered Resurfaced

Material: Arriscraft Brampton Brick Limestone

Notes: